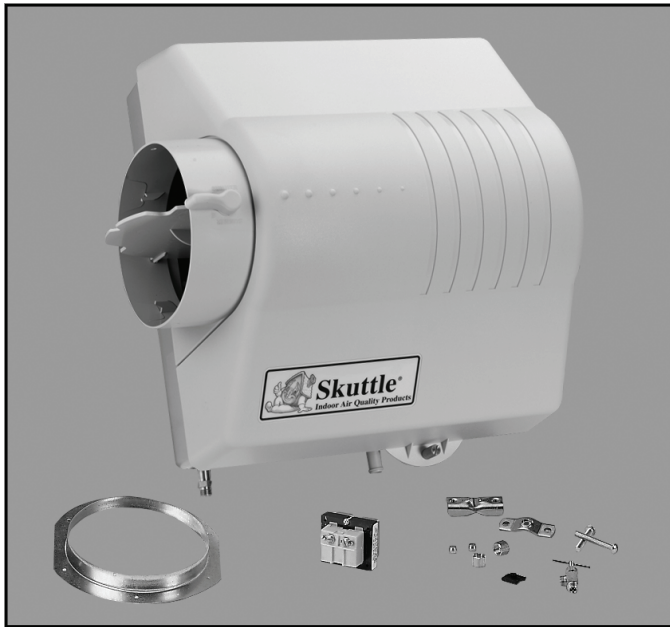


# Models 2000 and 2100

## High-Capacity Bypass Flow-Thru Humidifiers Excellent Choices for Warm-Air Heating Systems



**Model 2000** includes a standard Manual Humidistat.

**Model 2100** includes a *Compustat* Automatic Humidifier Control.



*Compustat* is an electronic compensating humidistat which automatically adjusts the humidifier output to compensate for changes in outdoor temperature. It helps prevent over-humidification in the event of a sudden outside temperature drop.

**Installation Package** includes mounting template/installation instructions, humidistat (right), self-piercing saddle valve, transformer and homeowner's manual.

**Important:** When installing Model 2000 or 2100 on a system with a multi-speed blower motor or operating voltage other than 120 volts AC, it is strongly recommended that the unit be wired with a Skuttle A50 Relay to prevent transformer failure.

**NOTE:** Ratings and calculations are in compliance with ARI Formula 610:

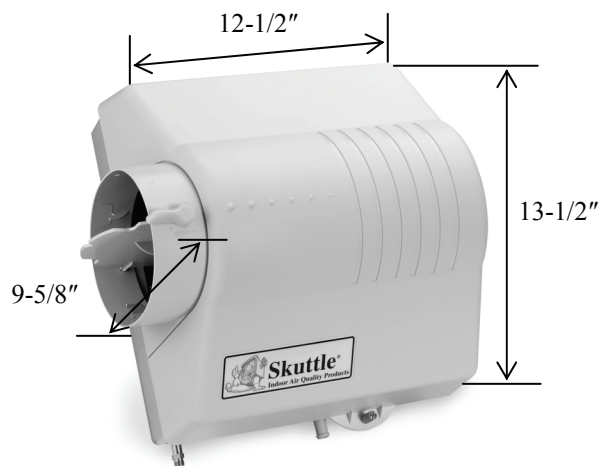
- Ceiling Height..... 8 feet
- Bonnet Temperature .....120°F
- Return Air ..... 75°F, 30% RH
- Total Static Pressure ..... 0.20 inches

### Moisture Output Capacity

Warm Air Duct Temperature °F	Pounds per Hour	Gallons per Day
120°	4.87	14.0
110°	4.35	12.5
100°	4.00	11.5

### Size Specifications

- Dimensions.....(See photo, right)
- Plenum Opening..... 10" high x 9" wide
- Bypass Opening .....6" dia. (bypass tubing not supplied)
- Solenoid ..... 24 VAC
- Water Supply Tubing .... 1/4" OD Copper (not supplied)
- Water Drain Tubing ..... 1/2" ID (not supplied)
- Evaporator Pad ..... 11-1/2" high x 9-7/8" wide x 1-9/16" thick  
(Evaporator Pad Replacement No. A04-1725-052)



U.S. Patent Nos. 5,851,444 and 5,932,148

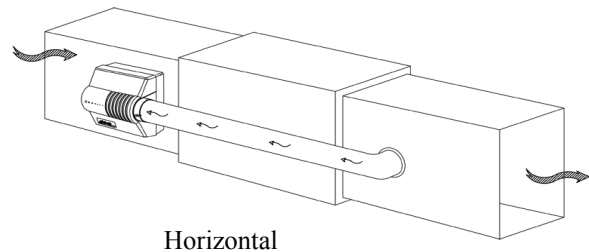
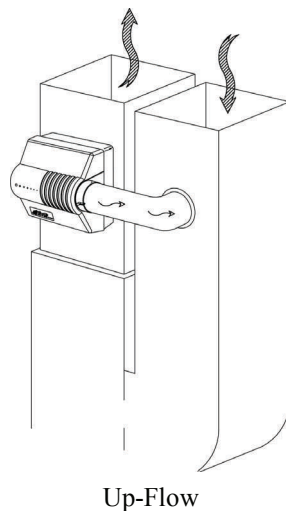
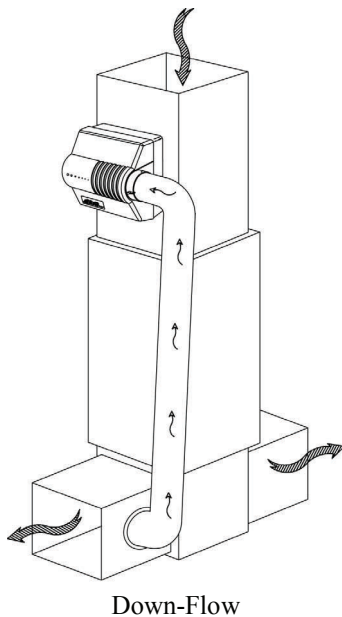
**Skuttle Indoor Air Quality Products** • *A World of Whole-House Solutions for Today's IAQ Challenges<sup>SM</sup>*

Phone: 888-SKUTTLE (758-8853) • Email: techservice@skuttle.com • Web: www.goskuttle.com

## 2000 / 2100 Features & Benefits

- **Compact width** fits plenums as narrow as 10" (can be modified to fit 8" plenums)
- **Low profile** makes unit ideal where space is limited
- **Shutoff Damper** reduces airflow in summer, allowing the air conditioner to run more efficiently and economically
- **Reversible side panels** permit left- or right-side bypass installation
- **Superior, patented wicking and water distribution system** accommodates non-level plenums
- **Frameless evaporator pad** avoids breakage common to brands with plastic frames
- **Internal solenoid** resists damage from bumping
- **Stainless steel orifice** won't break; cleans easily
- **Thermoplastic cabinet** resists rust, corrosion and warpage
- **Barbed drain fitting** prevents hose from slipping
- **Energy efficient technology** uses minimal water and electricity
- **Extended 5-year limited warranty** (excludes pad)
- **Output capacity** of 14 gallons per day at 120°F

## Typical Installations



## Home/Humidifier Sizing Chart

Maximum Home Size	Tight House	Average House	Loose House
Total Sq. Ft.	3,333	2,121	1,522
Total Cu. Ft.	26,667	16,970	12,174

**Tight House** = Insulated walls and ceilings; vapor barriers; weather stripping on doors and windows; snug doors, windows and fireplace damper. One-half air change per hour.

**Average House** = Insulated walls and ceilings; vapor barriers; loose doors, windows and fireplace damper. One air change per hour.

**Loose House** = No insulation, storm doors, storm windows, weather stripping or vapor barriers. Two air changes per hour.

**NOTE:** Due to Skuttle's continuing research, design specifications and components are subject to change without notice.