



Today's homes are built tight for energy efficiency, but that same tightness can also restrict the intake of fresh air and trap dust, allergens and more. The average person spends 90%* of his or her time indoors, breathing in stale air. In fact, poor indoor air quality ranks among the top five environmental risks to public health*. Honeywell offers several

solutions for bringing fresh air into your home while still helping you maintain energy efficiency.

*According to the Environmental Protection Agency

Honeywell Ventilation Systems

FRESH AIR YEAR-ROUND.



Honeywell offers three whisper-quiet, low-maintenance choices for ventilation.

Y8150 Fresh Air Ventilation System:

The Y8150 works with your existing heating and cooling fan system to deliver fresh air to your home. Its “set-it-and-forget-it” program gives you optimal ventilation without having to worry about settings. Your installer sets it up and the Y8150 does the work.

Perfect Window™ Ventilation Systems — HRV and ERV

Honeywell’s Perfect Window Ventilation Systems allow you to manually or automatically adjust the fresh air flow in your home. You can also add options for adjusting dehumidistat and fan timer controls.

There are two types of Perfect Window systems — Heat Recovery Ventilators (HRV) and Energy Recovery Ventilators (ERV). Each can be connected to your existing heating and cooling system by your installer or will work as a stand-alone system. And each can be configured to meet your personal needs.

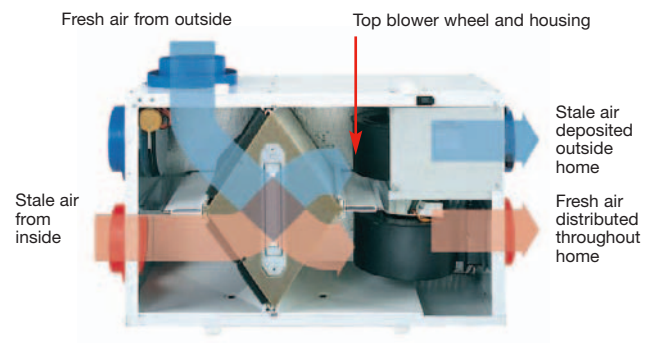
Heat Recovery Ventilator (HRV)

- Provides continuous exchange of stale air for fresh air
- Helps reduce window condensation and excess moisture
- Uses about the same amount of energy as a 100-watt light bulb
- Offers five speeds for specific demands, including frost control
- Recovers up to 80% of the heating/cooling energy from the air leaving your home
- Ideal for cold climates

Energy Recovery Ventilator (ERV)

Includes all the features of an HRV system, plus:

- Helps reduce amount of humidity brought into the home in summer and retains humidity in winter
- Transfers both heat and moisture between incoming and outgoing air streams for maximum energy efficiency
- Ideal for hot, humid climates



Your contractor or heating and cooling expert can help you determine the best Honeywell fresh air ventilation system for your home.

Learn More

Call toll-free 1-800-328-5111
or visit <http://yourhome.honeywell.com>
Email info@honeywell.com

Automation and Control Solutions

Honeywell
1985 Douglas Drive North
Golden Valley, MN 55422-3992
www.honeywell.com

50-8170 RL 5/05
©2005 Honeywell International Inc.



The American Lung Association and its Health House program do not endorse products.

Honeywell